

# Product Design Sketch Practice 1

by Daniel Lim

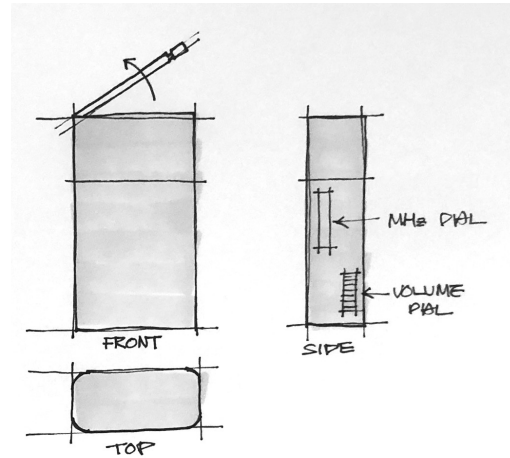


daniellimdesign.com

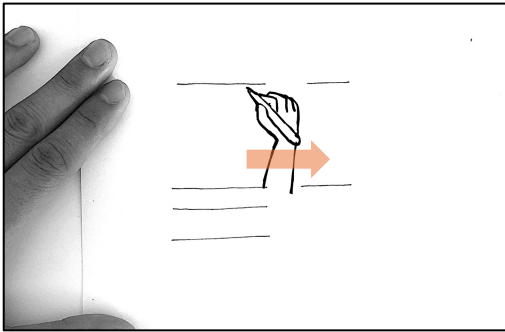
Sony ICF-P27 Portable Radio (Product image by SONY)



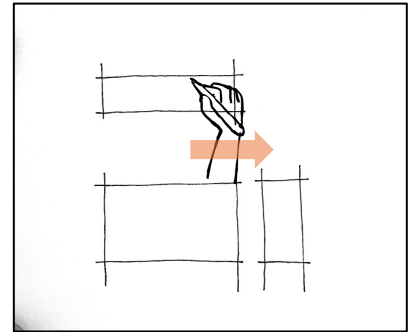
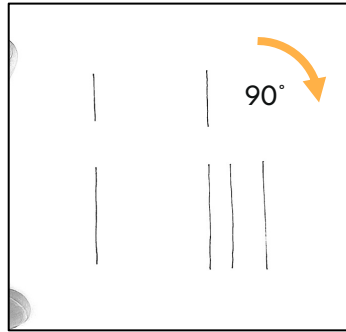
Sketch



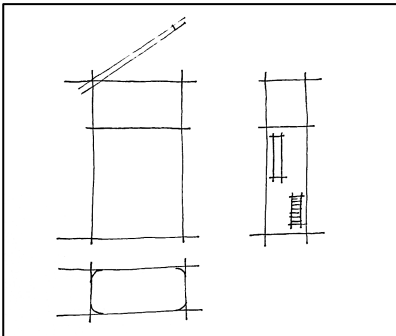
1. Draw horizontal lines (Tip #2)



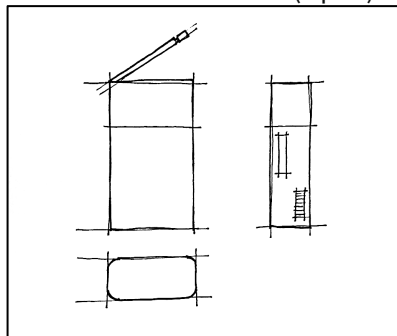
2. Rotate and draw vertical lines (Tip #6)



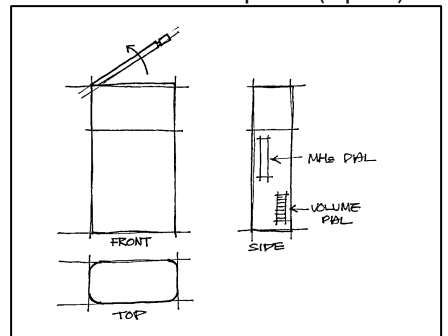
3. Add small details



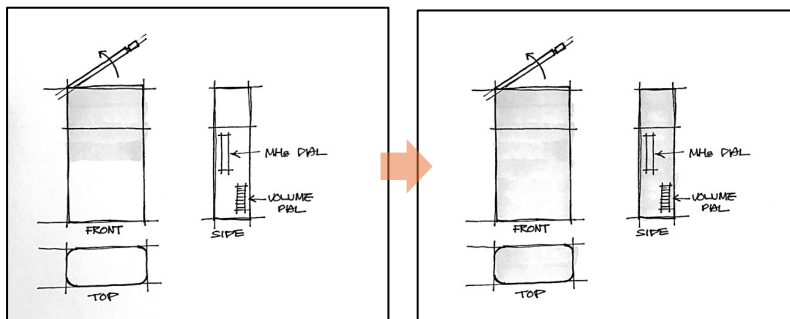
4. Outline the boundaries (Tip #7)



5. Use arrows and captions (Tip #5)



6. Color with markers. It's optional. (Tip #8)

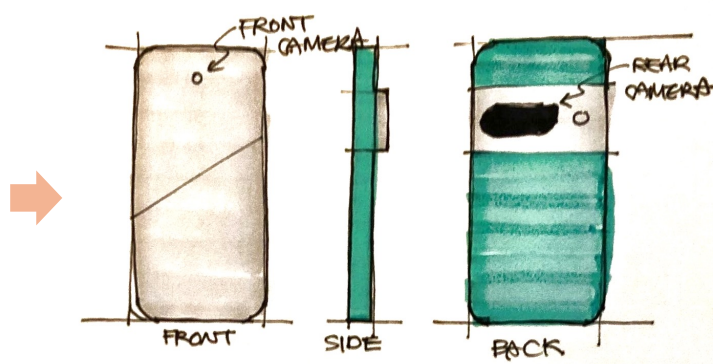




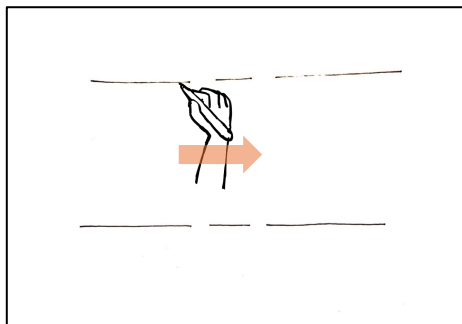
Pixel 8 (Product image by Google)



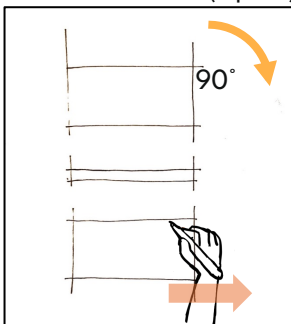
Sketch



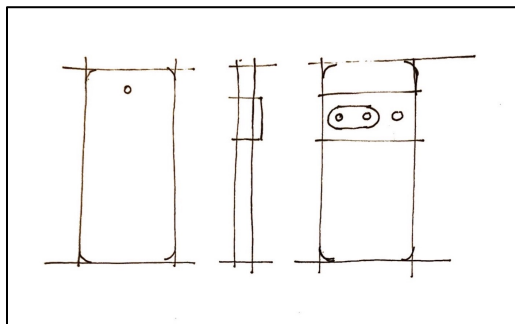
1. Draw horizontal lines (Tip #2)



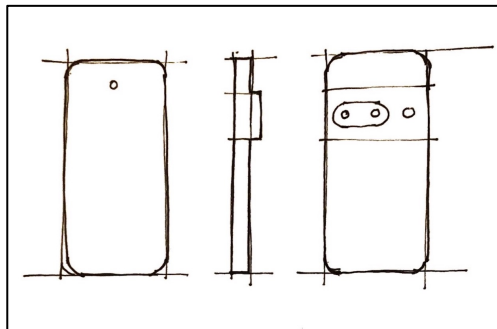
2. Rotate and draw vertical lines (Tip #6)



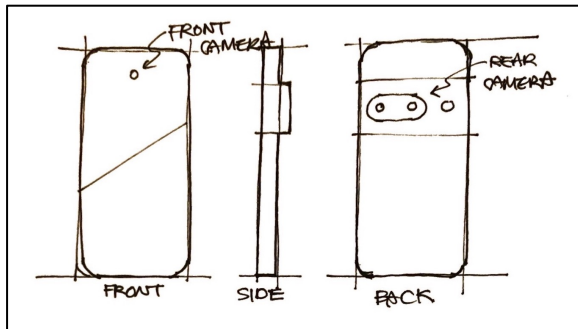
3. Add small details



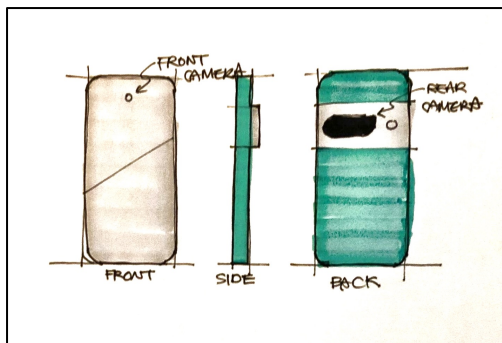
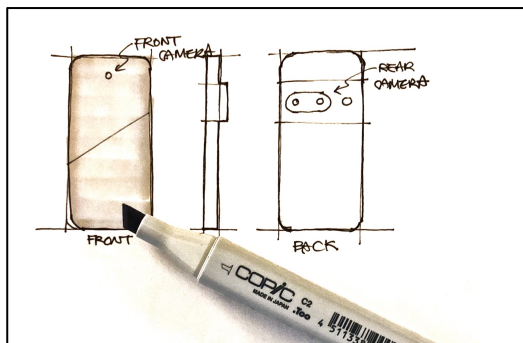
4. Outline the boundaries (Tip #7)



5. Use arrows and captions (Tip #5)



6. Color with markers. (Tip #8)

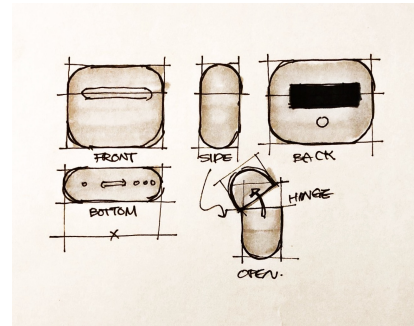




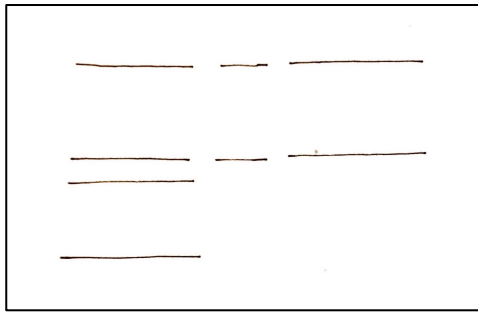
Airpod Pro (Product image by Apple)



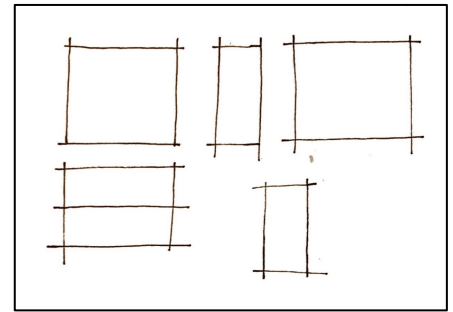
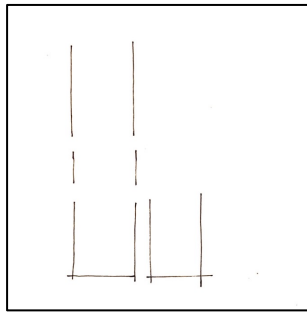
Sketch



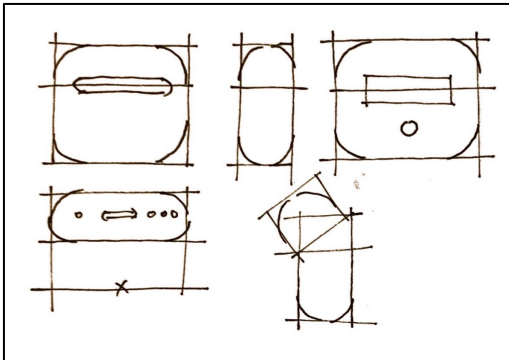
1. Draw horizontal lines (Tip #2)



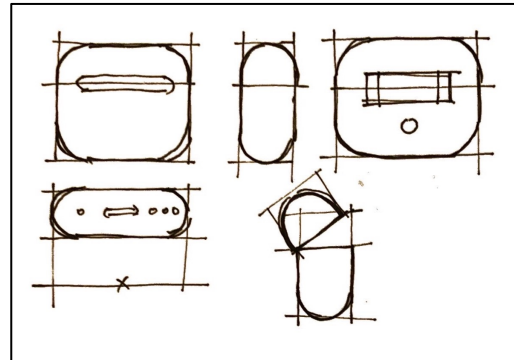
2. Rotate and draw vertical lines (Tip #6)



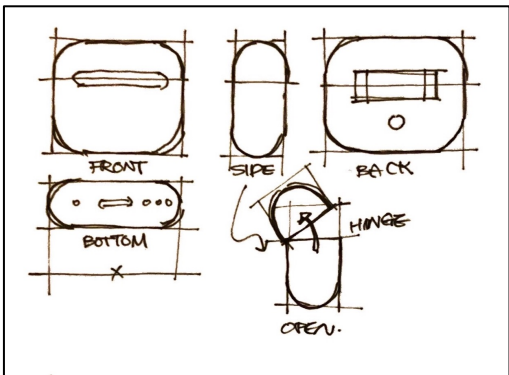
3. Add small details



4. Outline the boundaries (Tip #7)



5. Use arrows and captions (Tip #5)



6. Color with markers. (Tip #8)

